

Spend Fridays at the Local to Sharpen Your Skill

by Kent H Jorgensen

The Safety Pass training classes began a new requirement for Grips this month. Grips started attending the "R" Rigging Safety Class. The class runs for two consecutive, six hour days.

Members will have until next November to get this class done. Like other classes, employers will deny you work if you have not completed the class by the deadline. At this time the classes are offered four times a week. Go to csatf.org or call 818-502-9932 and sign up for the class. Unfortunately many are out of work because of the writer's strike. Use this time to get the class done.

As the class has been going forward one of the things that is being emphasis is the need to be professional. Whether we are talking about Crafts Service, Marine, Warehouse Workers, or Grip there should be a want by us to be good at our jobs.

Local 80 members have a proud history of service to the making of moving pictures. And whether you are on the set molding the light, moving people between docks and picture boats, protecting a location for a crew, or maintaining rental equipment doing the job well is part of what helps make a successful production.

In the past the Local has had classes during the

week for new members or members who are looking to brush up on their skills. While the strike is going on we will start doing this again. Starting Friday, Dec 4 at 8:00 a.m. (before the Strike Survival meeting) the Local will provide a chance for members to sharpen different skills.

The first day we will start with knots. Members who show up will get to practice knot tying. On each Friday we will practice moving walls, building scaffold, learn basic photography, contract question and answers, moving dollies and cranes, rigging techniques, or anything that you the members can think to ask for.

The subject of each week will be posted on the web site, or you can call 818-526-0701 to ask about what we will be doing. You can also call the number with suggestions on things that can be covered. There may be some days when the class will have to be canceled, but we will accommodate a small number of people. If some one shows up we will make the time valuable.

If you want to learn some new tricks, if you want to sharpen some of your skills, or if you want to pass on some of the skills that your years of experience have given you come on down on a Friday. Just give a call to make sure that it is going on.

Calendar

No General Membership Meeting

Jan 1 New Years Holiday

Jan 20, 9:00 am: Executive Board Meeting

Feb 3, 10:00 am: General Membership Meeting

Feb 17, 9:00 am: Executive Board Meeting

Feb 18, President Day Holiday

Feb 3, 10:00 am: General Membership Meeting

Feb 17, 9:00 am: Executive Board Meeting

Mar 2, 10:00 am: General Membership Meeting

Mar 22, 9:00 am: Executive Board Meeting

1st Quarter Dues are Due Dec 31
 Call the accounting office to determine how much you owe








VER SALES, INC.
2509 North Naomi St.
Burbank, CA. 91504
(818) 567-3000 fax: (818) 567-3018
"Over 30 years in the entertainment industry"







Aircraft Cable
 Beam Clamps
 Block & Falls
 Bungee Cord
 Cable Assemblies
 Camera Tape
 Carabiners
 Chain
 Chain Bags
 Chain Motors
 Cheseboros
 Coated Cable
 Crosby Clips
 Daisy Chains

Doughty Clamps
 Electrical Tape
 Eyebolts
 Felco Cutters
 First Aid Supplies
 Flashlights
 Gaffers Tape
 Horizontal Lifelines
 Knives
 Manila Rope
 Mtn. Climbing Rope
 Multiline II
 Nicopress
 Pipe Clamps

Pony Clamps
 Pro Master Rope
 Sash Cord
 Safety Cables
 Shackles
 Snaps
 Spansets
 Stage Set
 Steel Slings
 Trick Line
 Turnbuckles
 Velcro
 Web Slings







Rigging • Fall Protection • Hardware • Safety • Rescue Equipment

See us on the web at www.versales.com and www.versafety.com








Safety Pass Registration Lines Open

The upcoming Safety Pass “R” -Rigging Safety course provides an overview of terminology and safe practices as they pertain to the methodology and materials used for rigging in the entertainment Industry.

Beginning December 1, 2007, Local 80 Grips will have the Safety Pass “R”-Rigging Safety course will be November 11, 2008.

Register now to attend this 2-day course!

American Red Cross

1(800) GIVE LIFE 1(800) 448-3543 www.redcross.org

Questions? Call toll-free: 1 (800) 214-0441 E-mail: bloodquestions@usa.redcross.org

RELIABLE . REPEATABLE . STABILIZED

REMOTES



LOS ANGELES . NEW YORK . CHICAGO . DALLAS . NASHVILLE . MIAMI



www.panavision.com

818.316.1080

SPECIALTY DISTRIBUTION

Your One Stop Snack Source

Contact Us At:
 (661) 702-7972
SpecialtyDist@sbcglobal.net

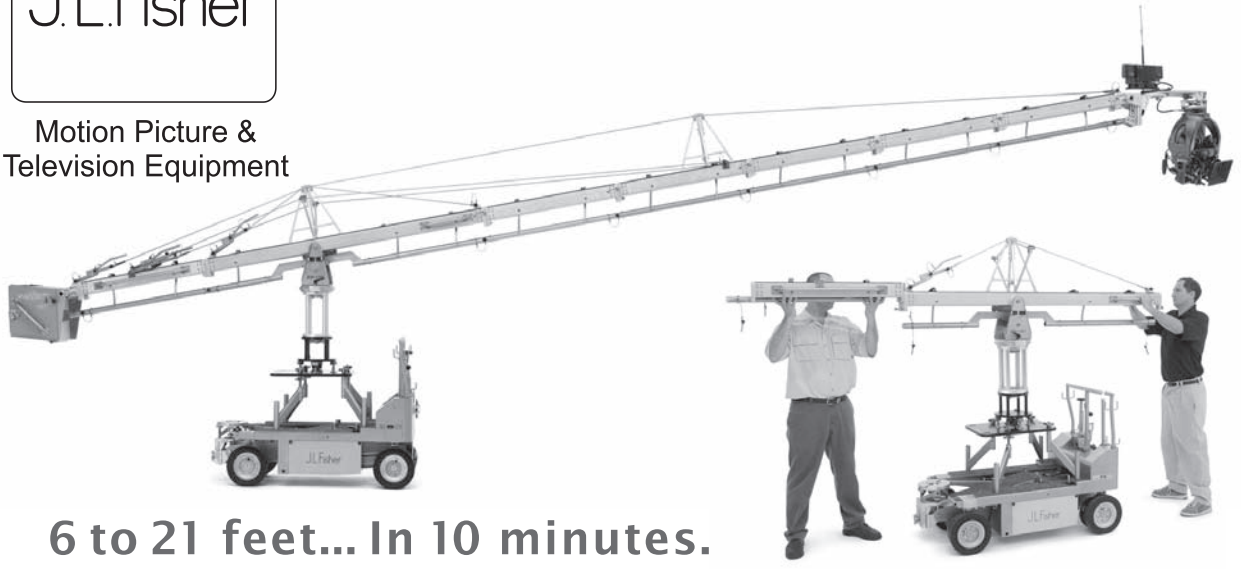
Specializing in Individually Wrapped Top Brand Items for Craft Services Teams
We Deliver to You!! Ask us About Your Snack Item Needs!! Bulk Items Available!!

To Request an Appointment With the Specialty Distribution Team or Request a Price List
 Contact Gene at: (661) 702-7972 or e-mail us at SpecialtyDist@sbcglobal.net



Presents... **Model 23 Sectional JIB**

Motion Picture &
Television Equipment



6 to 21 feet... In 10 minutes.

3 foot increments from 6' (1.83m) to 21' (6.4m) Max payload 131 lbs. (58 kg) @ 21'

J.L. Fisher, Inc. Motion Picture & Television Equipment
 1000 Isabel Street, Burbank, CA 91506 U.S.A. **Tel: (818) 846-8366 / Fax: (818) 846-8699**
 Web: www.jlfisher.com e-mail: info@jlfisher.com

ONE SMALL CONTRIBUTION CAN MAKE A HUGE DIFFERENCE.



By supporting the Motion Picture & Television Fund with a payroll deduction of just \$1.00 a week, you will help make a difference for thousands of your industry colleagues who are in need. MPTF provides charitable services such as financial assistance, healthcare, counseling, retirement living and senior care to film and television workers regardless of their ability to pay. Please help us take care of our own. Make your payroll pledge today!

For more information call the MPTF Foundation at (818) 876-1925 or www.mptfund.org.



Real Estate News

Home sales in San Fernando Valley plunged during October as buyers waited to see what will happen in the home loan market and for resale to fall. Single Family home sales throughout San Fernando Valley during October plunged 54.1% compared to the prior year. At the current pace of sales, the inventory represents a 16.0 month supply, the highest total since early 1990's and an indicator of a pure buyer's market. It's not surprising that buyers hesitate to jump into a market that actually is the best market in many years, however waiting may not mean they will get a better deal down the road. The interests rates are still very attractive and a buyer with a good credit and a reasonable down payment will get a loan, a wide selection, negotiating power and a great value. The Real Estate market has been through downturns before and this one too eventually will turn around. But waiting in a hope of timing the bottom of the market typically means a buyer will miss the best opportunities.

How would you like the bank to pay for your closing costs? Sounds impossible? I can assure you that it's not. No gimmicks, no hidden costs, no surprises! Call & ask me about our NO FEE MORTGAGE PLUS PLAN & I will be happy to explain it to you. I have helped many of my first time home buyers by saving them thousands of dollars in closing costs & I can do the same for you.

Attn: Home Sellers!

Not All Agents Are Created Equal! Before You List Your Home Make Sure You Know Your Agents Credentials. Call Me For a FREE Market Analysis Of Your Home. and Don't forget to ask me about my BIG CASH REBATE Program!



Victor Alebian/Broker/Realtor / Cell: (818) 618-5475



This Is Not Intended As A Solicitation If You Are Currently Working With Another Agent.

USE YOUR AMERICAN EXPRESS VISA OR MASTERCARD AT THE LOCAL

NBC Universal **GRIP**



- Automated inventory system
- Loading and holding bays
- Expanded inventory
- Steel Deck, Scaffolding
- Large supply of motors and box truss
- Scene Dock
- Rigging crews available on-lot and off-lot
- Ability to accommodate additional needs for key grip rental packages
- Canvas Room
- Pre-loaded 5 and 10 ton grip trucks

818.777.2291 • 800.892.1979 THE FILMMAKERS DESTINATION WWW.NBCUNI.COM/STUDIO



MEDIA WORKS

MEDIA TECHNOLOGY & OPERATIONS

matthews
STUDIO EQUIPMENT

TECHNOLOGY THAT COMPLEMENTS YOUR IMAGINATION.



DIGITAL & CHROMAKEY
BLUE/GREEN SCREEN

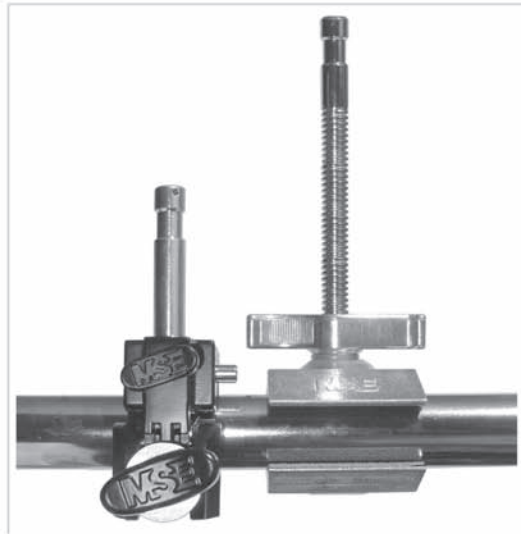
www.msegrip.com

OVER 1400 GRIP & LIGHTING CONTROL PRODUCTS

© Copyright 2007. Matthews Studio Equipment, Inc. All rights reserved.

matthews
STUDIO EQUIPMENT

TECHNOLOGY THAT COMPLEMENTS YOUR IMAGINATION.



CLAMPS

www.msegrip.com

OVER 1400 GRIP & LIGHTING CONTROL PRODUCTS

© Copyright 2007. Matthews Studio Equipment, Inc. All rights reserved.

From the Desk of the Secretary-Treasurer

Are you one of the out-of-touch group that currently consists of 8 active members, one applicant and 5 suspended members who have no address on file with Local 80?

If you are reading this in your own issue of The Eighty News, then you probably are not. You may, however, be joining that group sooner than you think: if you have a forwarding order on file with the Post Office, you will be joining them when that order expires.

A forwarding order just gets your mail forwarded; it doesn't notify the sender that you've moved. When the order expires, your mail stops coming to you and is returned to the sender, at which time the sender simply stops sending you mail... except for your phone company, which cuts off your phone service, your credit card companies, which stop your cards and crash your credit rating, and your union, which will not only stop sending your mail, but will fine you \$25.00.

I'm not entirely sure that your phone company won't actually enjoy shutting off your phone service. I'm not even a little sure that credit card companies don't enjoy stopping your cards and crashing your credit rating. I am absolutely sure, however, that your union doesn't enjoy fining you \$25.00. Kindly don't make it necessary: when you move, immediately notify Local 80 of your new mailing address.

There is also a group that consists of 6 active members for whom Local 80 has no phone numbers on file. (Bad numbers are deleted as soon as possible after they are discovered, to eliminate the possibility of additional time being wasted in calling them. "As soon as possible" means after the caller tries the number twice, then reports it as bad to Accounting, where it is tried two more times before finally being deleted.) These are just the members who have been called for some reason (the most likely reason being to try to send them to work.) There is no telling how many others have yet to be discovered.

This is a group of which you definitely do not want to be a part, especially during the Writers' strike: if the Unemployment Office checks up on these members, Local 80 is obliged to report that they are not properly listed as available to work. (If you can't be reached, you're not available.)

The beginning of the year (which is to say, now) is the second-best time to get all of your tax-related documents together. (If you didn't file them all neatly away as you got them last year, then you've already missed the best time.)

At this point, you should have everything but your W-2's. When they arrive, you should be able to place them in your neatly arranged tax file and be ready to go. Having everything already assembled before you even get around to thinking of making your appointment with your tax preparer can take a great deal of the stress out of the tax filing experience.

If you are not sure what items will be relevant, you can safely assume that your tax preparer will be happy to provide you with a list of the items they are going to want: their job becomes a lot easier when you show up with everything they need, and only what they need.

Apparently David Young, the foolishly hired chief negotiator for the Writers' Guild, is still enjoying the havoc he has wreaked, because the Writers' strike is still bumbling on as this is being written, and, sadly, there is no end in sight.

In November I urged members to not delay, but to hunt immediately and diligently for work when they were laid off, and to not wait until they were in serious financial trouble before looking for help.

Himself not one to delay in the face of problems, our Business Representative, Thom Davis, has been the prime mover in putting together a seminar to help IATSE members to learn what help is available. You should have received a special mailer about the seminar a couple of weeks ago, but here it is again:

From 11:00 a.m. to 2:00 p.m. on Friday, January 4, 2008, here at Local 80, speakers will address housing assistance, temporary employment opportunities, budget counseling and utility assistance.

Unless you are one of our independently wealthy members who work only because they're too unimaginative to entertain themselves without someone telling them what to do, I strongly urge you to attend if you possibly can.

Check out the Website www.iatselocal80.org

MEMBERS DROPPED FROM MEMBERSHIP

As of December 19, 2007

NOT ELIGIBLE FOR WORK

Article XV – Section VIII

“Any member six months in arrears for dues shall be dropped from the membership.” Per Article XV Section VIII of Constitution & By-Laws of Local Eighty, the following members have been dropped from membership for non-payment of union dues for six months:

Adams, Dennis L.	Deats, Richard Dale	Jensen, David Eugene	Newman, Susan J.
Aldahl, Mark Robert	Dever, David R.	Jensen, Gary J.	Newport, Terry P.
Allen, Daniel Christopher	Dickey Jr., Rocky L.	Jerrels, Tony	Newton, Anthony T.
Alos-Kramer, Caroline	Difrieri, Valeska E.	Johnson, Brian	Nichols, Dee
Alvarez, Antonieta	Dimitrov, Mark A.	Johnson, Dannon	Noroian, Thomas Alec
Anderberg, David	Dodd, Dennis Wayne	Johnson, Jay Perry	Novak, David W.
Anderson, Matthew R.	Drake, Kenneth	Jones, Yolonda	Oddo, Michael Ross
Arnds IV, Nick Burton	Draper, Brad	Journey, Duane E.	O’Hickey, Michael K.
Ashby, Patrick Michael	Dresser, Jim	Judge, Scott	Onken, Vince A.
Ayala Jr, Eddie R.	Duenkel, Brad E.	Kabbe, Andrew	Orlando, Nicholas
Baldwin, Steve	Dumas, David J.	Kass, Marc Ian	Palinkas, Jason
Barajas, Anthony W.	Durham, Frank	Kelly, Caden	Peters, Trevor William
Barone, Robert	Ellis, Delanna	King, Michael C.	Pickerell, James T.
Baruch, Steve R.	Emi, Erik	Klein, Thomas A	Presser, Greg J.
Beaird, Jesse Brooks	Emory, John	Knott, Christopher Allan	Preston, Gregg
Bensch, Michael J	Encinas, Adrain	Ladner, Frank Roberds	Pukowsky Jr., Melvin
Berman, Andrew A.	Epstein, Mark	Lange, Moritz	Randall, Richard
Berthiaume, Kevin L.	Espinoza, Reynaldo	Lant Jr, Weston	Reese, David Maury
Betz, Klint	Fitzpatrick, Damien	Lapin, Jacob Isaac	Reilly, Jennifer K.C.
Bingabing, Glenda A.	Friedman, Alan	Leeger, Marc	Richmond, Maro-uo H.L.
Bonier, Cedric Bion	Fulton, Andrew G.	Levy, Joseph Z.	Roberts, John W.
Bonsignore, Michael	Garcia, Cruz A.	Lima, Luke A.	Robinson, Daniel E.
Bostwick, Chad William	Garcia, Juan	Lonsdale, Mark V.	Roemmich, Mark L
Bowers, Eric L.	Garvey, James Owen	Lopez, Tony Ernie	Rogers, Dennis E.
Bowne, Gerald	Garvin, John	Lucas, Jeffrey A	Rudolph III, Donald L.
Brandow, Michael A.	Gatlin Jr., Will R.	Lucero, Isidro B.	Salandino, Joe A.
Braz, John Charles	Giorgio, Joseph D.	MacLean, Earl D.	Saget, Marc S.
Bridges, Gregory A.	Glenn, Ron	Maggio, August Rhu	Savage, Ian
Brown Jr., Raymond L.	Griffin, Beau Henry	Malicoat, Robena	Salem, Qutayba
Brown, Richard	Guerrero, Matthew Adam	Markham, Keith A.	Sandoval, Paul Skyler
Bukey, Henry L.	Guertin, Richard	Marsala, James P.	Savage, Ian
Burt, Danny R.	Gulbin, Michael	Marsala Jr, George	Savage, Steven Richard
Busch, John Hayden	Grunder, William R.	Martin, Isham	Schindler, Collin Miles
Campbell, Stephen	Hagstrom, Stephen D.	Martinez, Michael	Schmitt, Greg
Canaday, George Galen	Hanson, Jeremy Michael	Martinez, Patrice C.	Schubert, Valentin P.
Candice, Paul J.	Hardy, Don C.	Mazzola, Richard	Schwake, Steven P.
Carey, Devin Richard	Harris, Agaetha	McGrath, Phil R.	Schwartz, Bryan Andrew
Carlson, Gina	Hart, James William	McMillian, William Robert	Scipio, Steven Ira
Chanda, M. Amin	Hart, Kristie	Medcalf, Renton-Paul	Shaw, Christopher D.
Chaney, Sean Paul	Hassler, Riley Paul	Mehling, Peter	Shephard, Dylan
Chaney, Todd Adam	Hayes, Jim	Miliaresis, Joshua	Sheridan, Neal
Christie, William J.	Hayn, Brian C.	Miller, Raymond Scott	Shryock, Stacey L.
Clark, Shaughn W.	Heath, Ryan Christopher	Mirabella, Vito	Smith, Benjamin B.
Clarke, Joseph P.	Hecomovich, Erik S.	Modjallal, Teresa	Smyth, Kevin J.
Coe, Andrew J.	Helling, Joshua David	Moffitt Jr., William P.	Snyder, Michael
Cohen, Marc R.	Hiscocks, Rex T.	Monus, Don	Solomon, Scott Alan
Colunga Jr., Adam	Hock, Samuel L.	Moore, Steve Ray	Sutton, William Earl
Cook, Bert L.	Hodges, Michael	Moulthrop, James I.	Szillinsky, Gerald T.
Corn, Trinity Lorraine	Holderness, Michael J	Najera, Arthur M.	Talavera, Dean Jeffery
Cossman, Jerry	Holman, Andrew W.	Najera, Nicholas	Tantin, Marc Buddy
Critser, Eric Nicholas	Inouye, Kenji	Navarro, Antonio	Taylor, Cody E.
Daly, Elizabeth Caroline	James Jr., Lewis	Neary, Shawn M.	Taylor, Christopher Daniel
Dames, James P.	Jaureguy, David	Nepa, Gary A.	Termine, Karen I.
Davis, Matthew Leroy	Jeffries, Robbin Marie	Newman, John L.	Thomas, Anthony Alan

MEMBERS SUSPENDED FROM MEMBERSHIP

As of December 19, 2007

Article XV Section VI

“Any member three months in arrears for dues shall be suspended.” Per Article XV Section VI of the Local Eighty Constitutions & By-Laws, the following members have been suspended from membership:

Akers, Justin Lee	Gutkin, Miles Alpine	Pickett, Kevin Lamar
Alatorre, Tim	Harper, Lisa	Price, Lonzo
Alba, Dean R.	Heath, Bill	Putney, Peter
Ammon, Jeremy R.	Hernandez, Dinora	Roach, Joseph Garland
Arnold, Timothy J.	Hurt, Jacob Ryan	Rodriguez, Armando
Bailey, Robert Dean	Jett, Michael Montez	Rupe, Jason Harman
Bell, A. James	Johnson, Darren	Sanchez, Debbie
Bertola, Anthony	Johnson, Sean Charles	Sherif, Omari
Bloom, Sandy M.	Johnson, Vincent Kyle	Shiple, C.
Boone III, William F.	Kourabi, Bachar	Sigfrids, Tiffany Renee
Botello, Darren	Landry, Matthew Earle	Skibicki III, Michael M.
Brack, Jeffrey Alan	Landsberg, Gregory K.	McDonnell, John W.
Castro, Jon-Neil R.	Lenz, Morgan	Tandy, Robert M.
Chapman, Blake S.	Lewis, Michel E.	Thomas, Fleather D.
Chase, Ray Dennis	Lovejoy, Michael	Tucker, Tracy James
Clayton, David A.	Lozier, Ricardo	Weed, Richard
Colino, Bill	Macias, Victor M.	Whitemore, Scott
Cunningham, Jason B.	Mack, Pamela	Whitesides, Starr
Duffield III, Donald Lee	Masterson, Todd R.	Wills, Gary
Eichenlaub, Robert S.	Masterson, Todd R.	Woods, Charles T.
Esper, Christopher	McLaughlin, Kristen	Woodworth, Yvonne
Feldmann, Robert K.	Merrill, William David	Wynne, Vernon
Ferguson, Gary E.	Milam, Jake L.	Ysais, Michael C.
Filian, Edward H.	Neu, Joseph	
Fisher, Eric Ronald	Newman, Alex	
Fitzgerald, Randal S.	Newman, Howard	
Freeman, Jaik E.	Overstreet, Mark T.	
Graves, Kevin M.	Pagter, Scott Page	
Green, Shemeka C.	Pickett, Keith Clayton	

NOTE TO KEY GRIPS/CRAFTS SERVICE: The Key Grip/Crafts Service is responsible for determining that there are no members of his/her crew in violation of Article XV Section VI of the Local Eighty Constitution and may be charged with such responsibility before the Local Eighty Executive Board should violations be found under Article 1 Section 1 of Local Eighty's By-Laws.

MEMBERS DROPPED FROM MEMBERSHIP Continued

As of December 19, 2007

NOT ELIGIBLE FOR WORK

Tivald, Scott Anthony	Viera, James W.	Watts, Jeffrey
Tollefson, Tim J.	Villegas, Brian M.	Weatherwax, Kenneth
Toscano, Lisa S.	Vladoianu, Nick	Wessel, Peter David
Treadway, Ryan	Volberding, Scott Andre	White, Jack E.
Trefts, Daniel V.	Walker, David B.	Williams, Larry
Trussell, Robert W.	Wallace, Arl Wiley	Wilson, Gregory S.
Tucker, Thomas Michael	Walrod, C. Ransom	Woodard, Craig
Underwood, Stephen M.	Walsh, Christy	Yakkell, Kenneth Joseph
Valentine, Marshall R.	Walton, Charles H.	Zullo, Thomas W.
Vandagriff, Richard	Warren, Derrell M.	

NOTE TO KEY GRIPS/CRAFTS SERVICE: The Key Grip/Crafts Service is responsible for determining that there are no members of his/her crew in violation of Article XV Section VI of the Local Eighty Constitution and may be charged with such responsibility before the Local Eighty Executive Board should violations be found under Article 1 Section 1 of Local Eighty's By-Laws.

Classified Advertising

FOR RENT: 16' cab over crafts service truck with double rear doors, lift gate, stairs with handrails, deli box, refrigerator./freezer, 2 pour over coffee makers, storage, 7000 watt generator, microwave. Please call: 818-421-1219 cell or pager 818-750-8799 or office: 787-8799

FOR RENT: Crafts Service equip. coffee cart, fridge, tables, trash cans. Price negotiable. Call 213-880-2711, Krissy.

FOR RENT: 16' air cond. Crafts Service truck fully loaded w/ 2 refig, 1 in sandwich bar, cabinet and counter space, coffee maker, and tv. \$450/week. \$90/day. Call Laban Freeman @ 818-399-9563 or 818-845-5949

FOR SALE, LEASE, OR RENT: 4 hood, and 4 side mounts. Best in the movie business. Carl Manoogian, 818-784-1834

FOR RENT: 16' Air conditioned Crafts Service truck, fully loaded with 2 frigs., 1 included in sandwich bar, lots of cabinets and counter space, coffee maker, and television. \$450.00/week, \$90.00/day. Call Laban Freeman 818-399-9563 or 818-845-5949

WANTED: Used Grip Equipment c-stands, hi-rollers, mombos, combos, carts, sandbags, reflectors, rags, etc. 818-517-9492

VACATION RENTAL: Local grip rents out studio suite at the Signature at MGM Grand. For reservations call Arnie 818-667-2222

FOR SALE: Giraffe Classic Camera Crane (remote-31', rideable 24') Complete with 84' aluminum track, new weight carts, new 20' custom trailer, tools, and more. Please call Joe for details: 818-439-1034

FOR SALE: Scuba gear. Andy 818-761-9917

FOR SALE: Tools. Andy 818-761-9917

FOR SALE: 2006, 3 ton truck, liftgate, generator, side door with steps, very low mileage. 661-755-8061

FOR SALE: Panther Foxy crane. All options including riding mode, long and short bucket outriggers, Large, small and pony weight buckets, Custom underwater boom section, Fulcrum to Mitchell adapter, Super Mario type weight carts, Wide track wheel adapters and much, much more. Good condition rents all the time for \$650+ per day. Great crane for a Key to carry. Fits in the isle of a 10 ton. \$19,500. For info and pictures call Tony at 941-809-4704 or email Scott at scott@cinemoves.com

VACATION RENTAL: Silverstrand Beach, Oxnard CA, 3 bedroom, 2 bathroom + guest house, completely furnished 3 story house, sleeps 10-12. 1 block to sand, large decks, ocean views. Internet, tv/dvd/cable, fireplace, laundry + more. Daily, weekly & monthly stays available. Great pricing. Call (805) 241-7221 Email crownies@hotmail.com, www.BeachHouseOxnard.com

FOR SALE: A blast of energy! XS Energy Drinks have 0 carbs, 0 sugar, and only 8 calories per can. A formula of B vitamins & key amino & folic acids to help boost your metal & physical energy. There's 9 tasteful flavors, plus three great caffeine-free alternatives. For details go to www.wannashopp.mychoices.biz or call Clarissa 562-355-2990

FOR RENT: Crafts Services Truck, Loaded Looks great, plus U make money 500 wk last rent for 1200 wk, Call Peter Popp 323-350-3269

SCUBA CLASSES: P.A.D.I. classes available include Open

Water, Advanced Open Water, Emergency First Responder, Rescue and Divemaster. P.A.D.I. specialties available include Underwater Navigator, Deep Diver, Drysuit and Enriched Air (Nitrox). Also available are D.A.N. Oxygen provider, Advanced Oxygen Provider, A.E.D., and S.S.I Open Water Diver classes. Contact Steve: 310-864-2000.

FOR RENT: Craft Service Truck, Triple sink, all stainless, soda cooler, double traulson, can help with package if needed. Available for long term call 818-437-6956. 661-510-6287

FOR SALE: 32' trailer 96 96, spring ride with level lift gate-needs batteries, with side door, no jockeys, Call 323-662-8390 or email william131@mac.com for more information

FOR SALE: Job Box tool box. \$200 obo 818-526-0704

Classified Ads can be placed by sending ad information to:

the*eighty*news
c/o Local 80
2520 W. Olive Ave.
Burbank, CA 91505
Fax to 818-526-0718
email: mail@iatselocal80.org

or bring ads to the Membership Meeting. All ads must be accompanied by a telephone number of the person who is placing the ad and \$5.00. the*eighty*news reserves the right to edit ads.

Any problem with an ad, please call Kent Jorgensen at 818-526-0700, so future problems can be avoided. Local 80 is not responsible for advertisers' claims.

1st Quarter Dues are Due Dec 31

Call the accounting office to determine how much you owe

The Prescription Co-Pay Program Needs Some Help

by Gil Valle

Executive Board Member

Reprinted by request from theeightynews, November, Issue 146

The Retiree Prescription Co-Pay Program was begun by the membership a dozen years back in an effort to assist those who had retired with very low union pensions by today's standards. The first year of the program the total cost was twelve thousand dollars. A decade plus later we are looking at more than \$120,000 annually. It is not sustainable at this level.

Much as one might like to offer assistance to fixed income retired members, there has to be a limit on such expenditures that use moneys of the General Fund. With that in mind the Executive Board is contemplating changes to the way in which this helping hand is extended.

A number of proposals are being put forward. Among them ideas that would realize small savings such as removing selected "optional" drugs from the program; Viagra was one of those mentioned. But ED drugs, whatever their benefit, would cut costs by only a fraction and would require selecting out by the L80 clerical staff – not a job anyone would be comfortable doing.

So the list of refinements turns to annual caps and to benefit groups. In the first instance, an amount that is sustainable per year would be divided by the average of retirees collecting the benefit thereby giving the cap per user. The second idea of benefit groups would allow for continuation of benefits as they are to those who retired before a certain date and lesser amounts given to those thereafter as their pensions would be much improved by the contracts of the last several years.

There could be several benefit groups based on the improving pension rules; and there could be rollovers of unused caps so younger retirees could use unused dollars later in life when more prescriptions might be required.

These are just ideas that are being talked about but whatever the outcome, there must be some controls put on the program if it is to survive for the benefit of all members so that they can retire in dignity and security while preserving the original help to those who retired with small pensions by comparison to those of us who will do so in the future.

You are invited to be part of the necessary reevaluation of this program. Please, write to this newsletter with your comments and ideas.

IATSE Local 80 Phone Menu Bypass Information

The Local utilizes an automated answering system to try and serve the membership. When you call Local 80 you will be greeted by a recorded message and menu, but you don't have to wait for either to play: as soon as the greeting begins you can press the number for the department you want.

Press 1 for: Accounting (Dues questions or payments)

Press 2 for: Business Agents (Contract questions or issues)

Press 3 for: Callboard (Availability and work history)

Press 4 for: Safety questions or issues, or The Eighty News

Press 5 for: Permit information

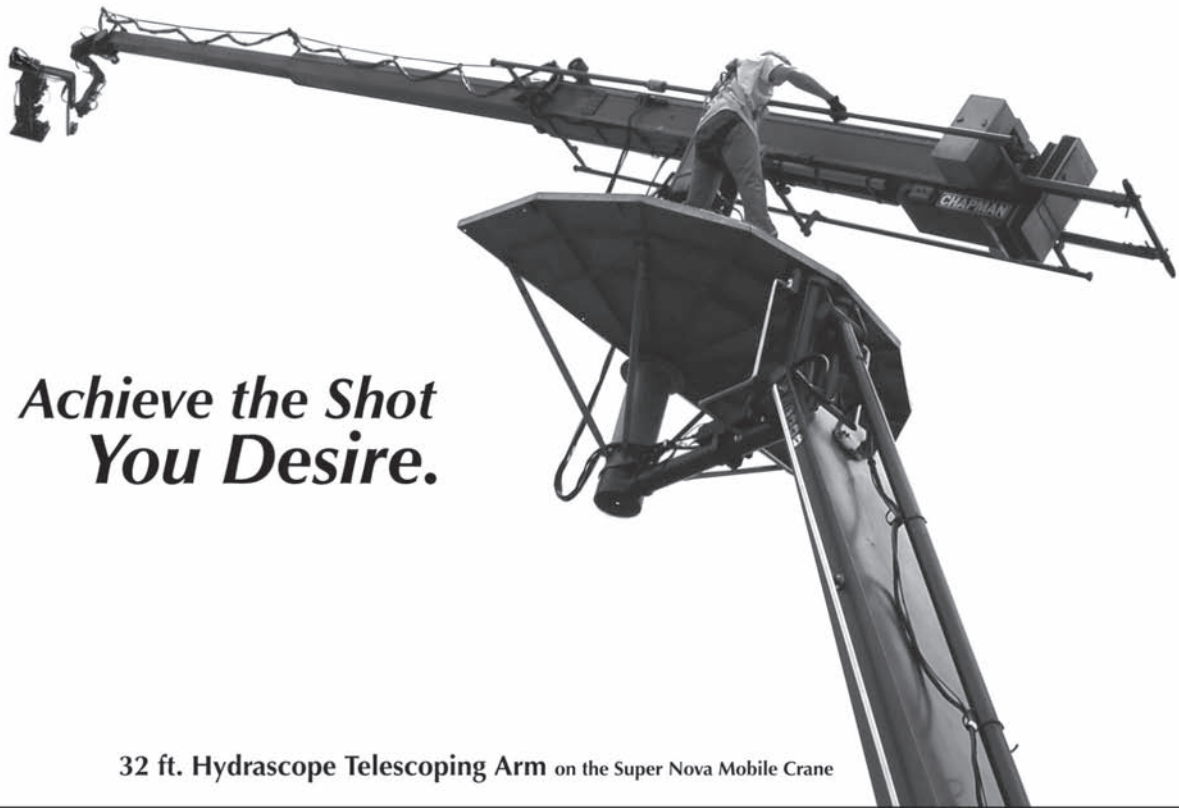
Press 6 for: Member Services

Press 7 for: Local 80's address

CHAPMAN/LEONARD

STUDIO EQUIPMENT, INC. 

CRANES ARMS BASES REMOTE SYSTEMS DOLLIES PEDESTALS



*Achieve the Shot
You Desire.*

32 ft. Hydrascope Telescoping Arm on the Super Nova Mobile Crane



SUPER NOVA on *Martian Child*



HUSTLER IV



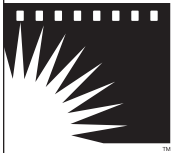
LENNY ARM II PLUS on *Eight Below*

LA (888) 883-6559 TX (888) 758.4826 FL (888) 337-8243 Canada (866) 848-2602 UK (888) 883-6559

© Chapman/Leonard Studio Equipment, Inc.

Try our Sound Stage in Orlando, Florida

www.chapman-leonard.com



Motion Picture
& Television
Fund
Taking Care of Our OwnSM

The Industry's Trusted Resource

ELDER CONNECTION

THE MOTION PICTURE & TELEVISION FUND is excited to announce ELDER CONNECTION, a program of services and referrals for people 65 and older, and those involved with their care.

Services may include:

- Assessment of care needs, via phone or home visit
- Financial assistance
- Supportive counseling and help for caregivers



Please call for more information 335 N. La Brea Ave.
or to arrange a referral: Los Angeles, CA 90036
Phone: 323-634-3866

Referrals may include:

- Housing alternatives
- Home care agencies
- Transportation
- Home delivered meals
- Legal services
- Support groups
- Medicare and Medi-Cal information

www.mptvfund.org

SUN VALLEY CABINETS, INC.

Serving the Entertainment Industry for over 30 Years

7554 Clybourn Ave.
Sun Valley, CA 91352



Phone: 818 767-2228

Fax: 818 767-4427

WWW.SUNVALLEYCABINETS.COM

On-Line Order Form

Grip Boxes, Reflector Boxes, Scrim Boxes, Apple Boxes, Mini Apple Boxes, New York (oversized) Boxes, Cup Blocks, Stair Blocks, Track Wedges, Camera Wedges, Cup Block Holders, Track Wedge Holders, Cribbing, Cucoloris Inserts, Apple Box Seats

Custom Boxes for the Lighting and Grip Rental Industry

Visa / MasterCard Accepted

The "Grip friendly" camera movement system

"original"

The Slider...TM LLC

2' Slider



3' Slider



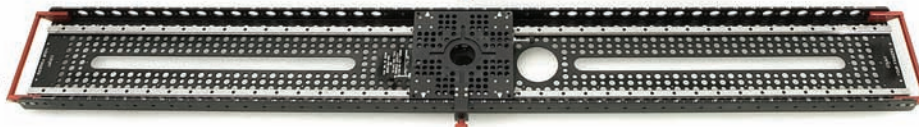
4' Slider



6' Slider



8' Slider



Please Contact:

(805) 496-5289

Panavision Remote Systems

Please ask for the "original" Slider

(818) 316-1080

Jerry Giacalone

(805) 341-2692

Ron Veto

(818) 344-5284

Slide to: **TheSlider.com.**

@Jud Mackelvy

Studio1412.com

Local 80 Retiree Rx Co-Payment Reimbursement Plan Update

As of August 1, 2006, when the current Basic Agreement went into effect, the cost of prescription co-payments increased substantially. Despite this, Local 80's officers and membership have decided to continue their voluntary program of reimbursing Local 80 retirees' qualified co-payment costs in accordance with the formula in use prior to the change for another year. Therefore, for prescriptions filled under the new contract, the reimbursements will be as follows:

- The program will fully reimburse the co-payment for a three month supply purchased through the Industry Health Plan mail-in provider (still Medco). Medco co-payments are: \$10 for generic drugs, \$30 for preferred brand drugs, and \$36 for all other brands.
- Retirees who do not use the mail-in service can only get a one-month supply. The program will reimburse only an amount equivalent to the cost of Medco service: \$3.33 for generic, \$10 for preferred-brand drugs, and \$12 for all other brands.

The rest of the policy will also remain in effect for another year:

- Only those retirees that inform the Local of their retirement, and who choose to continue their relationship with Local 80 by remaining current on dues as a Plan #1, Plan #2 or Plan #3 Retiree will be eligible for the program, as will their spouses or domestic partners who are covered by the Industry Health Plan (the retired member must inform the Local in writing of their spouse or partner's name.)
- The program can only accept original receipts less than one year old. (The age of receipts will be measured in relation to the beginning of the quarter in which they are submitted, as determined by the postmark.)
- Co-payment requests will be handled on a quarterly basis. There will be four deadlines for submitting receipts each year: February 1st, May 1st, August 1st and November 1st. Checks will be issued by March 15th, June 15th, Sept 15th, and December 15th. (Submissions received after a deadline will be processed with the next quarter's receipts.)

Retiree Prescription Co-payment Reimbursement Plan Schedule

Submission Deadline:

February 1st

May 1st

August 1st

November 1st

Reimbursement Date:

March 15th

June 15th

September 15th

December 15th

Local 80 Officers	Secretary-Treasurer	Mike Santoro	Trustees
President	Rick Schunke	Bill Sordal	Tommy Adams
David Ahuna	Executive Board	Gil Valle	Melinda Gordon
Vice President	Jim Chizmar	Eric Whitehead	Fred Perdue
Bob Babin	Pat Daily	Page Williams	Assistant B.A.s
Business Agent	Kent H. Jorgensen	Sergeant-at- Arms	David Ahuna
Thom Davis	Lloyd Moriarity	Chris Adams	Craig Conover
	Russell Nordstedt		Russ Nordstedt

the eighty news	800-994-1080	email: mail@iatselocal80.org
is published by:	818-526-0700 ext. 701	Editor: Kent H. Jorgensen
IATSE Local 80	818-526-0719 fax	IATSE Local 80 Website:
2520 W. Olive Ave. Suite 200		www.iatselocal80.org
Burbank, CA 91505		



c/o Local 80
2520 W. Olive Ave
Burbank, Ca 91505

No General Membership Meeting in Jan

Calendar

January

- ◆ No General Membership Meeting
- ◆ 20th, 9:00 am: Executive Board Meeting

February

- ◆ 3rd, 10:00 am General Membership Meeting
- ◆ 17th, 9:00 am: Executive Board Meeting

1st Quarter Dues are Due Dec 31