



Dolly Grip Class, On Line Newsletter, and the Nagging

by Kent H Jorgensen

Just a couple of things to mention for members to keep in mind.

First, the Local is offering a Dolly Grip Class. The class will teach the theories, philosophies, and techniques of pushing the dolly for single camera shoots. Russ Nordstedt will teach the class.

This class requires a bit of a commitment. The class will be on four consecutive Saturdays beginning July 12. Each session will be four hours long beginning at 9:00 a.m. This four day class will be limited to the first 25 brothers and sisters who sign up. The four dates are July 12, 19, 26, and August 2. Call or email Kent at 818-526-0701 or safety@iatselocal80.org.

The second thing, this newsletter, the *eighty news*, is now available on line. It is usually up by Monday before the General Membership Meeting. You can go to the Local's web site, www.iatselocal80.org, scroll down to the Newsletter link, and click on it. It requires Adobe Acrobat Reader (which you will probably already have on your computer).

Putting the newsletter on line is the first step to sending it out electrically. If you wish to receive an email announcement containing the link to the latest issue of the newsletter send an email to mail@iatselocal80.org. Members must send an email to request getting the newsletter electrically.

Members who are computer challenged do not have to worry about not getting the newsletter in the mail, it

will still be coming out to your mailbox. In the future, members will be able to decline getting the newsletter from the U.S. Postal Service and only get it by email. This will be a good thing for the Local. This method of distribution will save printing and postage costs. If you are interested email the newsletter to have your name put on the list. (You'll still get the newsletter by mail for awhile).

Third, we would like to put more photos in the newsletter. Send in pictures of your crew, of rigs you're proud of, old pictures, or anything you think might be of interest to other brothers and sisters. Send a jpeg or pdf file to mail@iatselocal80.org. When you send the pictures please identify the people in the pictures, tell what project it's from, and give credit to the photographer.

Forth, during the latest Safety Pass "R" Rigging Class the instructors have been telling you to look for the Local's other rigging classes. These classes are coming. Be looking for them.

Lastly, the Safety Pass Rigging classes are getting lonely. There is room for 30 people each class, but enrolment is down. While the deadline is still away off GO GET THE CLASS DONE. As we get closer to the deadline members will start realizing they could lose work if they don't get it done. By then the classes will start to be full, and members will miss the deadline.

The nagging: Go sign up for the class now. Www. csatf.org or 818-502-9932.

Calendar

June 1, 10:00 am: General Membership Meeting

June 22, 9:00 am: Executive Board Meeting

No July General Membership Meeting

No General Membership Meeting in July

July 4: Independence Day Holiday; Offices Closed

July 13, 9:00 am: Executive Board Meeting

3rd Quarter Dues are Due June 30

Call the accounting office to determine how much you owe

IN MEMORIAM

Robert Aldridge:	Born: 09/30/1918	Obligated: 10/05/47	Died: 04/24/08
Scott Judge:	Born: 05/06/59	Obligated: 06/06/80	Died: 05/05/08
Jack M. White:	Born: 05/07/44	Obligated: 03/06/73	Died: 05/07/08

Members' names are announced in this space upon the receipt of official notification of death. Official notification generally means an original death certificate or a report from the Motion Picture Industry Pension and Health Plans.








VER SALES, INC.
2509 North Naomi St.
Burbank, CA. 91504
(818) 567-3000 fax: (818) 567-3018
"Over 30 years in the entertainment industry"

    	<p>Aircraft Cable Beam Clamps Block & Falls Bungee Cord Cable Assemblies Camera Tape Carabiners Chain Chain Bags Chain Motors Chesebros Coated Cable Crosby Clips Daisy Chains</p> <p>Doughty Clamps Electrical Tape Eyebolts Felco Cutters First Aid Supplies Flashlights Gaffers Tape Horizontal Lifelines Knives Manila Rope Mtn. Climbing Rope Multiline II Nicopress Pipe Clamps</p> <p>Pony Clamps Pro Master Rope Sash Cord Safety Cables Shackles Snaps Spansets Stage Set Steel Slings Trick Line Turnbuckles Velcro Web Slings</p>	    
---	---	---

Rigging • Fall Protection • Hardware • Safety • Rescue Equipment

See us on the web at www.versales.com and www.versafety.com

We Need to Find Ways to Get More Sleep

Brothers and Sisters,

William Shakespeare once called sleep, “the chief nourisher of life’s feast.” Of course Shakespeare never worked in Hollywood...where good sleep is a rare occurrence.

Sleep deprivation, which is the norm in Hollywood, can undermine all areas of your physical and mental health. It weakens the immune system making us susceptible to diseases and disorders such as diabetes, cancer, heart problems, and even the common cold. It also causes stress which again weakens the immune system and upsets our mental abilities bringing on confusion, memory loss, irritability, and emotional highs and lows. Researchers at the University of Chicago Medical Center report that sleep deprivation damages the body’s ability to regulate blood sugar levels which could lead to type two diabetes.

Since I retired two years ago and now have a good sleep pattern without sleep deprivation, I am healthier than I had been for many years in Hollywood. Maybe Key Grips and/or Best Boys could set-up a “platoon” system on their shows to give crew members at least one night a week of good sleep. I know you might have to be creative to set-up some way to get a crew off the 14 to 17 hour work days and into some healthy sleep time. THE NEGATIVE EFFECTS OF SLEEP DEPRIVATION ARE LONG TERM ON YOUR HEALTH. Promoting better health through good sleep may even benefit the Industry Health Plan in the long run. Something to think about, if you are not too tired.

Fraternally,
David Wachtman, (Retired)

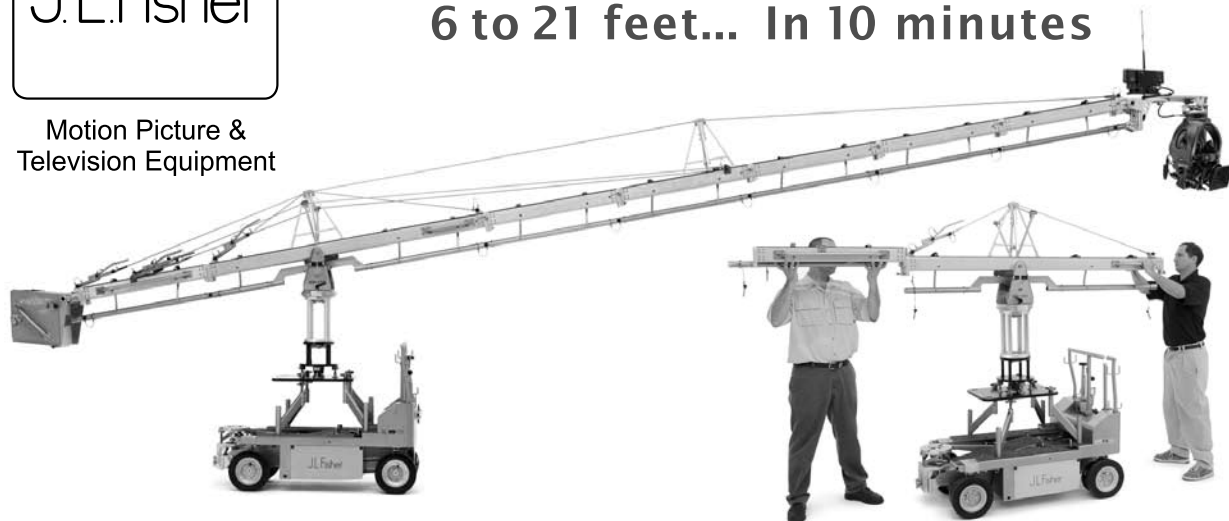
Check out the Web site www.iatselocal80.org

J.L.Fisher

Motion Picture &
Television Equipment

Model 23 Sectional JIB

6 to 21 feet... In 10 minutes



3 foot increments from 6' (1.83m) to 21' (6.4m)

Max payload 131 lbs. (58 kg) @ 21'

"J.L. Fisher products are proudly made in the U.S.A."

J.L. Fisher, Inc. 1000 Isabel Street, Burbank, CA 91506 U.S.A.

J.L. Fisher, GmbH Emil-Hoffmann-Str. 55-59 50996 Köln, Germany

Tel: (818) 846-8366 Fax: (818) 846-8699

Tel: +49 2236 3922 0 Fax: +49 2236 3922 12

Web: www.jlfisher.com e-mail: info@jlfisher.com

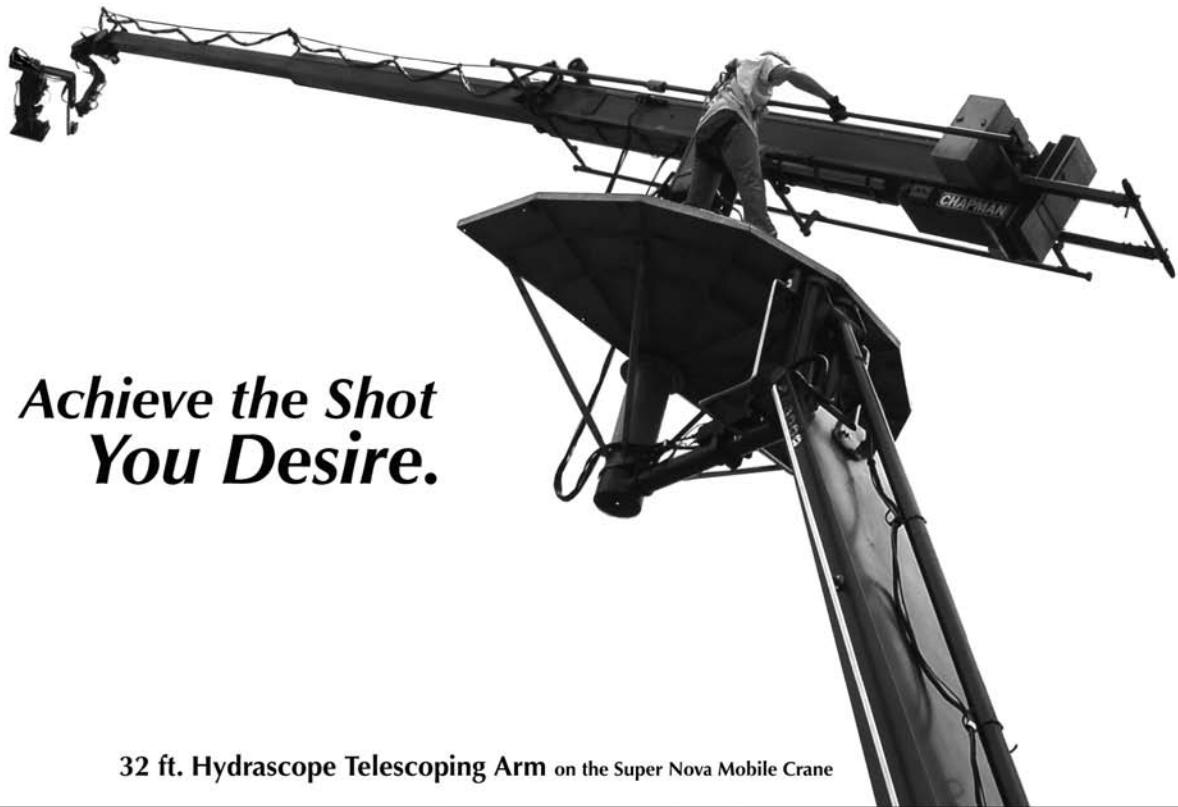
Web: www.jlfisher.de e-mail: info@jlfisher.de

CHAPMAN/LEONARD

STUDIO EQUIPMENT, INC.



CRANES ARMS BASES REMOTE SYSTEMS DOLLIES PEDESTALS



*Achieve the Shot
You Desire.*

32 ft. Hydrascope Telescoping Arm on the Super Nova Mobile Crane



SUPER NOVA on *Martian Child*



HUSTLER IV



LENNY ARM II PLUS on *Eight Below*

LA (888) 883-6559 TX (888) 758.4826 FL (888) 337-8243 Canada (866) 848-2602 UK (888) 883-6559

© Chapman/Leonard Studio Equipment, Inc.

Try our Sound Stage in Orlando, Florida

www.chapman-leonard.com

From the Desk of the Secretary-Treasurer

Some of the most trying situations that Local 80's Secretary-Treasurer has to deal with come about when members are so utterly inconsiderate as to die after having failed to update their Local 80 Survivors Benefit beneficiary form to reflect a new spouse or the death of a previously named beneficiary. The consequences of this lack of consideration are never problems for the member, of course; he or she is conveniently dead, and thereby thoroughly insulated from all the problems they've created.

The member's survivors, on the other hand, are forced to deal with these issues during what is usually already an emotionally (and most often financially) difficult time. To make matters worse, if their beneficiary form is out of date here at Local 80, then their beneficiary cards at the Motion Picture Industry Pension and Health Plans are almost always out of date also.

Sometimes the guidelines under which the Local 80 Survivors Benefit must operate will allow the benefit to be paid out in a manner that benefits the member's surviving family. Sometimes it simply isn't possible. The money goes to the third-back ex-wife, or some other party that seems unlikely to be who the member would really have preferred it to benefit had they been asked immediately prior to their death.

Even when the Local is able to resolve the money issue favorably, the survivor is left knowing that their father, mother, husband, wife, or whatever didn't care enough about them to be bothered taking care of business on their behalf.

Please be sure that your beneficiary and other survivors don't have to go through an unnecessary financial or emotional ordeal over something that can be so easily handled when you are still here to take care of it.

Take care of it now: come to the Local, or call and have a form mailed to you. Good intentions don't count – when you die, the last person that you actually named is your beneficiary. The mere fact that you absolutely never, never, never, under any circumstances whatsoever, would want the money to go to that person becomes completely irrelevant once you are no longer around to speak for yourself.

If you don't clearly remember who you designated as your beneficiary last time you filled out a form (or you don't remember filling them out a beneficiary form at all,) then it is probably time for you to fill out a new one.

By the way, having a current Local 80 beneficiary form is meaningless if you have been

dropped from membership: make sure that someone you trust knows ahead of time to pay your dues in the event that you become too ill to take care of your own affairs.

Another important item that you should make every effort to keep current: your contact information. Make sure that Local 80 always has your current address and phone numbers.

Local 80's Constitution and Bylaws require that the Local be notified in writing of address and phone number changes. That provision is there to protect both the Local's members and the Local.

Despite this very prudent stricture, the Accounting office will often accept changes by phone, provided that they are satisfied that you are actually who you say you are. If you choose to do it that way, it is a good idea to call back a day later to make sure that the change was actually entered correctly and saved in the computer: without your written notification on file to verify that you provided the correct information in a timely manner it is you, not the Accounting staff, who pays the fine if the information that you provided is incorrectly entered or not saved.

Remember, too, that Local 80 is not the only work-related place that needs to be kept current on your contact information. The Motion Picture Industry Pension and Health Plans also need your current address, as does Contract Services. The Pension and Health Plans, by the way, are forbidden by law from accepting a change of address by phone. Since you are going to have to write them anyway, it just makes good sense to send copies to everyone who needs to be notified.

Any employer or payroll company that might owe you a paycheck or a vacation and/or holiday check from last year or the year before should also be kept current on changes in your contact information.

It would also seem prudent to keep your phone numbers current with anyone you have either worked for or worked with who may potentially be able hire you at any future time, or who even may just be in a position to recommend you to someone who may hire you.

Article VII Section XIII of Local 80's Constitution and Bylaws mandates a \$10.00 fine for any member submitting a bad check to Local 80. That amount is in addition to any bank fees associated with the check that Local 80 may be charged.

Bank fees for NSF or other bad checks have climbed to a painfully high \$50.00.

June, 2008

the *eighty*news

Calendar of General Membership Meeting of Sunday, June 1, 2008

Call to Order: 10:00 a.m.

Flag Salute

Roll call of Officers

Reading of the Minutes of previous meetings:

General Membership meeting of May 4, 2008

Executive Board meeting of May 18, 2008

Motions passed (unless otherwise noted)

- 1) To loan a Suspended member on Disability sufficient funds from the Jim Buck Memorial Benevolent Fund to be reinstated for the purpose of returning to work or taking an Honorable Withdrawal by June 30, 2008.
- 2) To send two fivesomes to the MPTF's 2008 Heartbeat of Hollywood Golf Classic: \$3,950.00.
- 3) To go ahead with phase one of the computer system upgrade: \$7,245.00.

Executive Board meeting of June 1, 2008

Secretary - Treasurer's Report

Business Representative's Report

Committee Reports

Communications

Unfinished Business

New Business

Good and Welfare

Adjournment: not later than 12:30 PM

Scholarship Applications Available

Local 80 accepts scholarship applications from the children of members in good standing, from members in good standing, and from the spouses of members in good standing.



Call the Local for information
and to request application forms.



EDGEWATER HOTEL AND CASINO LAUGHLIN



On behalf of the Executive Board we wish to invite our retired members, and their spouse, to join us for a fun trip to the **EDGEWATER HOTEL & CASINO** in **Laughlin, Nevada**, for 3 days 2 nights **July 20, 21, 22, 2008**. The cost for Local 80 Retiree and spouse is \$55.00 each. **Double occupancy is required**. Members and guest are also invited at **\$110.00 per person, double occupancy**. A 30 day notice of cancellation is required for refund.

Remember that getting there is half the fun. You will travel in a luxury motor coach, with a **FREE HOSTED BAR**, up and back, cocktails, beer, wine, soft drinks & snacks. A deli sandwich lunch on the bus will be provided on the way up. We will have cash raffles, movies, music etc. One **FREE Buffet of Choice** is included in this package at the hotel.

Since reservations are limited, **SIGN UP TODAY!** Double occupancy is required, singles must get authorization from Local 80 for a special single rate. Call Dick Babin at Local 80 (818) 526-0700 or at Home (818) 845-9648.,

J. A. F. TRAVELERS takes great pride in providing the best service for the members and the retirees of Local 80. Your continued support is greatly appreciated.

Best Wishes

Thom Davis,
Business Representative
Local 80, I.A.T.S.E.



J. A. F. TRAVELERS <<<
634 NO. ROSE ST., BURBANK, CA 91505-3140
(818) 843-3155

- For additional information contact: Dick Babin, at Local 80 Mon. or Wed. (818) 526-0700 or call
- Frank or Cissy Pawluc at **J. A. F. TRAVELERS** (818) 843-3155
- Make your check **payable to J. A. F. TRAVELERS**
- Mail your check and Registration Form to Dick Babin, Local 80, 2520 W. Olive Ave., Burbank, CA 91505

DEPARTURE INFORMATION:

BUS LEAVES: 10:00 A. M.



DEPART FROM: JOSLYN CENTER/OLIVE PARK (park inside lot near baseball diamond #4 along Clark Street)
1301 W. OLIVE AVE., (GRIFFITH PARK DR.) BURBANK
LOADING: LUGGAGE 9:30 A.M. PASSENGERS: 10:00 A.M.
LEAVE HOTEL: 12:00 NOON ETA BURBANK 5:15 P.M.

Please detach here, mail the bottom portion along with your check to Local 80 and keep the top portion for your information.

REGISTRATION FORM:

Code: L80 EDG 7/20-22/08

PLEASE PRINT. Circle choices. Non Smoking or Smoking Room 1 or 2 beds.

MEMBER / RETIREE:
NAME _____

ROOMING WITH: (spouse or guest)
NAME _____

ADDRESS _____

ADDRESS _____

CITY/ST/ZIP _____

CITY/ST/ZIP _____

TELEPHONE () _____

TELEPHONE () _____

If you plan to leave your car in the parking lot, please provide this information for over night parking authorization:


MAKE _____ MODEL _____ COLOR _____ YEAR _____ LICENSE # _____

M.E.L. Cinema Crane Inc.

Giraffe




Michael E. Listorti
Dolly Grip
818-559-2261
818-601-0125



Contract Services Administration Trust Fund
Effective Tuesday, April 29, 2008

CSATF's new address is:
15387 Oxnard Street, Suite 200
Van Nuys, California 91411
(818) 995-0900



Safety Pass is NOT moving

NBC Universal

GRIP



- Automated inventory system
- Loading and holding bays
- Expanded inventory
- Steel Deck, Scaffolding
- Large supply of motors and box truss
- Scene Dock
- Rigging crews available on-lot and off-lot
- Ability to accommodate additional needs for key grip rental packages
- Canvas Room
- Pre-loaded 5 and 10 ton grip trucks

818.777.2291 • 800.892.1979 THE FILMMAKERS DESTINATION WWW.NBCUNI.COM/STUDIO






MEDIA TECHNOLOGY & OPERATIONS



CraneShot

by Jan

Technocrane Services

with

* SCORPIO Remote Head
2- Axis or 3- Axis

* SCORPIO Stabilized Head

Call 310-577-1185 or e-mail: pia@craneshot.us

for additional information and quotes

Classified Advertising

FOR SALE, LEASE, OR RENT: 4 hood, and 4 side mounts. Best in the movie business. Carl Manoogian, 818-784-1834

FOR RENT: Crafts Services Truck, Loaded Looks great, plus U make money 500 wk last rent for 1200 wk, Call Peter Popp 323-350-3269

FOR RENT: Craft Service Truck, Triple sink, all stainless, soda cooler, double traulson, can help with package if needed. Available for long term call 818-437-6956. 661-510-6287

FOR SALE OR RENT: Crafts Services truck, 2000 Frieghtliner fully equipped with stainless steel double door refrigerator, freezer, sandwich bar, sink, diamond plated floors, 4 jockey boxes, 13 KW lowboy generator, Rubbermaid cart, food cart, and coffee cart. Food prep. table, plenty of cabinet and storage space. Must see. Call Darin at 805-217-5716.

FOR SALE: Enlouva IIIA remote crane w/ Darby base. Max length 22'6". Phoenix remote crane w/base. Rideable max length 23'10". Max remote head length is 40'. Contact Chris 818-519-7906.

SCUBA EQUIPMENT FOR SALE: Diver propulsion vehicles, Dacor Seasprint \$700, DPV Farllon MK7E underwater scooter 2.7mph 400fsw gauge mount and new fast charger, two Amphibico underwater camera housing with 3 Sony VX1000 DVCAM, 2 HMI lights 20 batteries, 6 charges, 2 color monitors, 4 color filters, 6 diopters, 4 cases, plus extra parts and much more \$5000. Scubapro Thermal Tec Steamer wet suits, 5mm, Large \$75, and 2mm, Large \$35, Scubapro 2 sets S600 & mk25 \$150. for each 1st and 2nd stage regs, Contact Charles Simons 310-621-3837

FOR SALE: Giraffe Classic Camera Crane (remote 31' & rideable 24'). Complete with 84' aluminum track, new weight carts, brand new 20' custom trailer, tools, and more.

\$50,000 OBO. Please call Joe for more details at 818-439-1034

FOR SALE: Spider Hi Hat, 4 way level head, 50% off. 213-507-0479

FOR SALE: Generator, Honda 7000, 60 amps, Low hours, full tank runs 10 hours. \$1,500 or OBO Call Dave 818-939-9287

FOR SALE: '68 Ply Fury, stock new weather stripping, pioneer stereo, runs good. \$5000, OBO 818-786-5797.

LEGAL SERVICES: Robert F. Smith, Esq. Criminal, Divorce, Probate. Discount for Local 80 Members. 818-364-0607

FOR SALE OR RENT: 16' air conditioned Crafts Service truck; fully loaded w/ 2 frigs, 1 included in the sandwich bar, lots of cabinets and counter space, coffee maker, and television. \$11, 000.00 OBO, \$450.00/week, \$90.00/day. Call Laban Freeman @ 818-399-9563 or 818-845-5949

FOR SALE: 2-12'X30' Digi Green Screens, New, perfect condition. Made by Forepeak. Sewn edge with grommets. \$705.00 for both. Contact Darren 213-910-0169 Located in Burbank.

FOR RENT: 45' production trailer. Full length jockey boxes, side door w/ steps, air ride, new rubber and Alcoa rims, 7' aluminum articulated lift gate. Adjustable shelves with office and locking cabinets. Load your gear for feature or T.V. I also have a very clean Kenworth cab over tractor to pull the trailer. Can make a package deal if you need both the tractor and trailer. Call Jerry Enright, 818-903-0750.

FOR SALE: 10 ton 1991 Freightliner with 350 Cummins engine, only 430,000 miles and in excellent running condition, 28ft. box w/shelving and a 6ft. Interlift gate. Call 213-447-2067 for info and pricing.

FOR SALE: Crafts Service Truck, \$22,000, Call Jeff Winn

818-841-0043

FOR RENT: Crafts Services trailer, fully equipped and clean! Comes with cappuccino machine, coffee maker, fridge, freezer, a/c unit, popcorn and hot dog machines, tv/dvd, oven, baskets/containers, tables, and a generator. Available for long and short term. Call Mike at 310-963-1369.

WANTED: Used Grip Equipment c-stands, hi-rollers, mombos, combos, carts, sandbags, reflectors, rags, etc. 818-517-9492

FOR SALE: 14' Craft Service Truck. 2000 Ford w/low miles in excellent condition. Newly installed Stainless Steel Counter Tops, Cabinets, Walls, Sinks w/ hot & cold running water, Diamond Plate floor, Air Condition, Refrigerated Sandwich Bar, Upright Refrigerator/Freezer, Lift Gate w/ stairs & hand rail. \$24,000. Call Dave 818-939-9287

FOR SALE: 1990 Volvo 5 ton Truck only 60,000 original miles 24' Box, side door with steps, shelves, work box & jockey boxes. Excellent condition and ready to roll. \$24,000 Call Jim 818 321-8025 or email to jimdunford@gmail.com

Classified Ads can be placed by sending ad information to:

theeightynews
c/o Local 80
2520 W. Olive Ave.
Burbank, CA 91505
Fax to 818-526-0718
email: mail@iatselocal80.org

or bring ads to the Membership Meeting. All ads must be accompanied by a telephone number of the person who is placing the ad and \$5.00. **theeightynews** reserves the right to edit ads.

Any problem with an ad, please call Kent Jorgensen at 818-526-0700, so future problems can be avoided. Local 80 is not responsible for advertisers' claims.


Real Estate Corner

SFV Home Sales Trending Up

Homes are selling in the SFV with activity gradually picking up on month to month basis and the number of properties in escrow suggesting the trend will continue through the coming month's as buyers take advantage of the housing slow down and foreclosures. If this trend continues, it suggests that we may have passed the bottom of this cycle with the worst behind us. There were total of 853 transactions in escrow at the end of March 2008 up 12.4% from February. Condominium sales were also up 38.5% from February. It will take some time for foreclosure to work its way through the system and only then will prices stabilize. Negotiating with a motivated seller, whose home is priced competitively from the beginning, may yield a superior bargain and a faster escrow than a foreclosure will. Plus the condition of the home in a traditional purchase instead of foreclosure which typically are sold AS IS offering zero opportunity to negotiate for repairs or concessions in price. At the current pace of sales, the inventory represents a 12.7 month supply, clearly a buyers market but well below the 20 plus month supply seen during the early 90's

Attn: Home Owners!

Not All Agents Are Created Equal! Before You List Your Home Make Sure You Know Your Agents Credentials. Call Me For a **FREE** Market Analysis Of Your Home.

	<p>Victor Alebian Broker Associate Cell: (818) 618-5475 Email: brokerrealestate@sbcglobal.net</p>	  
--	--	--

This is not intended as a solicitation if you are currently working with another agent.

RELIABLE . REPEATABLE . STABILIZED

REMOTES



LOS ANGELES . NEW YORK . CHICAGO . DALLAS . NASHVILLE . MIAMI



www.panavision.com
 818.316.1080

***THE NAGGING WON'T STOP UNTIL YOU
TAKE THE RIGGING SAFETY CLASS!!!!***

The Safety Pass: 818-502-9932 or www.csatf.org

DOLLY GRIP CLASS

July 12, 19, 26, and August 2

Limited Space - Open to the First 25 Member Who Sign Up

To Sign Up contact Kent: 818-526-0701 or safety@iatselocal80.org

NOTE TO KEY GRIPS and CRAFTS SERVICE: The Key Grip/Crafts Service department heads are responsible for determining that there are no members of his/her crew in violation of Article XV Section VI of the Local Eighty Constitution and may be charged with such responsibility before the Local Eighty Executive Board should violations be found under Article 1 Section 1 of Local Eighty's By-Laws.

**Retiree Prescription Co-payment
Reimbursement Plan Schedule**

Submission Deadline:

February 1st

May 1st

August 1st

November 1st

Reimbursement Date:

March 15th

June 15th

September 15th

December 15th

Local 80 Officers

President

David Ahuna

Vice President

Bob Babin

Business Agent

Thom Davis

Secretary-Treasurer

Rick Schunke

Executive Board

Jim Chizmar

Pat Daily

Kent H. Jorgensen

Lloyd Moriarity

Russell Nordstedt

Mike Santoro

Bill Sordal

Gil Valle

Eric Whitehead

Page Williams

Sergeant-at- Arms

Chris Adams

Trustees

Tommy Adams

Melinda Gordon

Fred Perdue

Assistant B.A.s

David Ahuna

Craig Conover

Russ Nordstedt

the eighty news
is published by:
IATSE Local 80
2520 W. Olive Ave. Suite 200
Burbank, CA 91505

800-994-1080
818-526-0700 ext. 701
818-526-0719 fax

email: mail@iatselocal80.org
Editor: Kent H. Jorgensen
IATSE Local 80 Web site:
www.iatselocal80.org



c/o Local 80
2520 W. Olive Ave
Burbank, Ca 91505

General Membership Meeting in June 1

Calendar

June

- ◆ 1st, 10:00 am General Membership Meeting
- ◆ 22nd, 9:00 am: Executive Board Meeting

July

- ◆ No General Membership Meeting
- ◆ 13th, 9:00 am: Executive Board Meeting

3rd Quarter Dues are Due June 30